



## Our Company

Classic Aviation is one of the leading and most reliable suppliers of speciality aircraft spare parts to the commercial airline industry. Classic Aviation has stocking facilities and branches throughout Europe, the Middle East and other parts of the world. Classic Aviation has deployed many services with innovation, reliability and quality to remain at the leading edge of customer experience.

We at Classic Aviation understand the relationship between product excellence and customer service, due to our high level of reliability and its positive effects on our client's business. With many years of expertise, Classic Aviation has been supporting the aviation community in the supply of genuine aircraft parts and aviation spare parts. Team Classic Aviation has built an enviable reputation by working with major commercial airline industry players, their requirements and aspirations to ensure that aircraft spare parts are sourced quickly. We supply aircraft spare parts worldwide

- Fast response for RFQs
- Open and available for distribution/consignment opportunities
- Inventory management specialists
- Surplus sales and repair management





## Running A Successful Business Since 2022

With many years of expertise, Classic Aviation has been supporting the aviation community in the supply of genuine aircraft parts and aviation spare parts. Team Classic Aviation has built an enviable reputation by working with major commercial airline industry players, their requirements and aspirations to ensure that aircraft spare parts are sourced quickly. We supply aircraft spare parts worldwide.



## We support wide range of aircraft models



Airbus A310



Airbus A330



Boeing 737



Boeing 747



Boeing 777



Boeing 787



McDonnell Douglas  
DC- 8 & 10



ATR 42 / 72



Dash 8 - 400



## Our Product Categories

Classic Aviation offers the following Products:

### Airframe Parts

- Bearings
- Cable Assemblies
- Fire Extinguishers
- First Aid & Safety
- Latches
- Harnesses & Lap Belts
- Spinners
- Windshields

### Fabric & Covering

- Ceconite Covering System
- Fabric Accessories
- Heatshrink Products
- Tapes & Seals
- Traditional Fabrics





A small blue silhouette of an airplane in flight, angled upwards and to the right.

**Electrical Parts**

- Batteries
- Lamps & Bulbs
- Cable & Insulation
- Cabin Power
- Rac Trim Systems
- Fuses & Circuit Breakers
- Terminals
- Static Dischargers
- Relays & Solenoids
- Switches

A small blue silhouette of an airplane in flight, angled upwards and to the right.

**Undercarriage Spares**

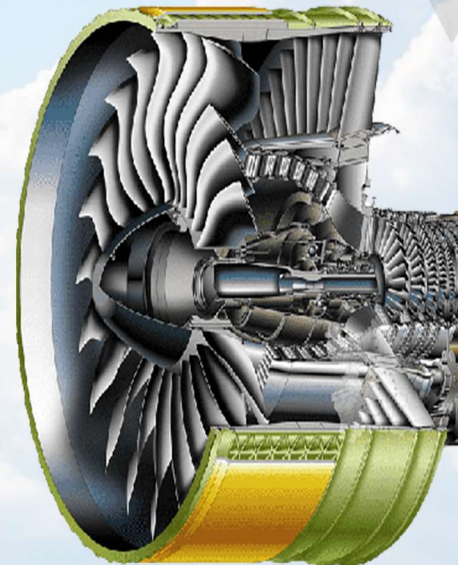
- Braking System
- Shock Cord & Springs
- Tailwheels
- Tyres & Tubes
- Wheel & Axle





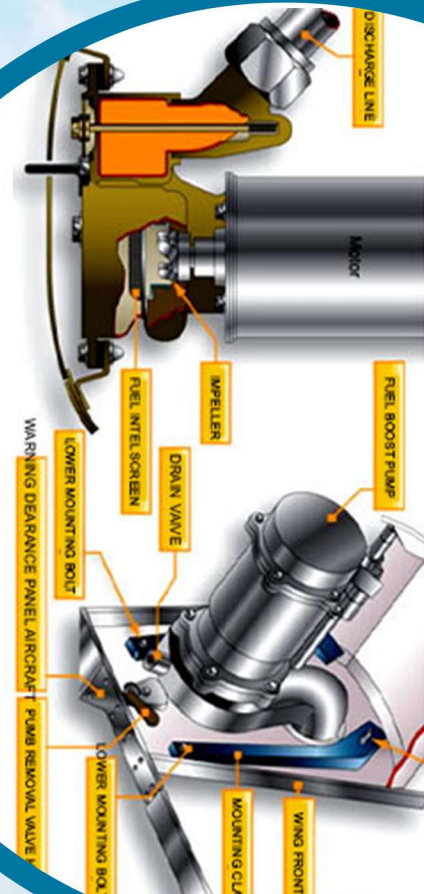
## Engine Spares & Accessories

- Front Fan Case
- Shrough Ring
- Sub-assembly Parts
- Housing
- Aeroquip Fittings
- Air Filters
- Alternators
- Ducting
- Firwall & Baffle
- Hose
- Ignition System
- Oil Filters
- Rotax Spares
- Spark Plugs
- Starter Motors



## Fuel System Supplies

- Carburetors
- Chokes
- Fuel Control Systems
- Fuel Filters
- Fuel Interting Systems
- Fuel Management Systems
- Fuel Meters
- Fuel Nozzles
- Fuel Probes
- Fuel Purification Systems
- Fuel Tank Systems
- Fuel Totalisers
- Injection Systems
- Fuel Caps
- Fuel Primers
- Fuel Pumps
- Fuel Valves
- Funnels & Accessories
- Gascolators







## **Ground Equipment**

- Control Clamps
- Remove Before Flight Streamers
- Tie Down Kit
- Windsocks

### **Power & Starting Units:-**

- Ground Power Units
- Portable Starting Units
- Power Supplies

## **Raw Materials**

- Metal Angle & Tubing
- Non-metal Products
- Sheet Metal
- Wire



## Instruments

- Accelerometers
- Air Speed Indicators
- Altimeters
- Clocks
- Compasses
- Electrical Gauges
- Fuel Gauges
- Gyros
- Installation Fixings
- Manifold Pressure
- Oil Gauges
- Pitot Tubes & Accessories
- Tachometers
- Temperature Gauges
- Turn Co-ordinators / Turn & Banks
- Vacuum System
- Vertical Speed Indicators







## Hardware

- Fittings
- Rivets
- Bolts & Screws
- Circlips
- Clamps & Clips
- Fasteners
- Grommets
- Nuts
- O-Rings & Gaskets
- Pins & Collars
- Protection Caps
- Washers

## Main Landing Gear & Nose Landing Gear

- Manufacturer- Messier-Dowty, Operation-Hydraulics
- Number of wheel on each bogie-4
- Retraction Direction Inwards
- Breaks-4 X Dunlop Carbon Fiber with anti-skid system
- Tyer type-Michelin NZG
- Tyer Pressure-232PSI







## Paints, Oils & Lubricants

- Adhesives & Fillers
- Anti-Corrosion
- Cleaning
- De-Icing
- Miscellaneous Chemical Products
- Oils & Lubricants
- Paints & Coatings
- Release Agents
- Sealants
- Thinners & Solvents



## Interior & Exterior

- Carpet
- Cleaners & Polishes
- Cosmetics
- Finishing Materials
- Hardware
- Lighting Systems
- Sun Visors

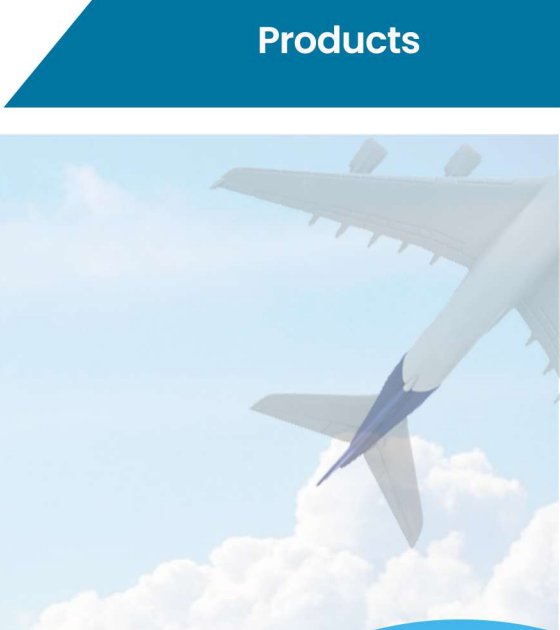




- Shop & Hangar Supplies
- Ventilation

## Avionics

- Camera System
- Fire Switch Units
- Weather Systems
- HSI
- Display Units
- CDIs
- Batteries
- Mounts
- ELTs, NAV/COM
- Radar Altimeters
- Transponders
- Engine Monitoring Systems
- Base Stations
- Intercoms
- Computers
- COMM Transceivers
- Custom Panels
- Autopilot Systems



 **Aircraft Tools**

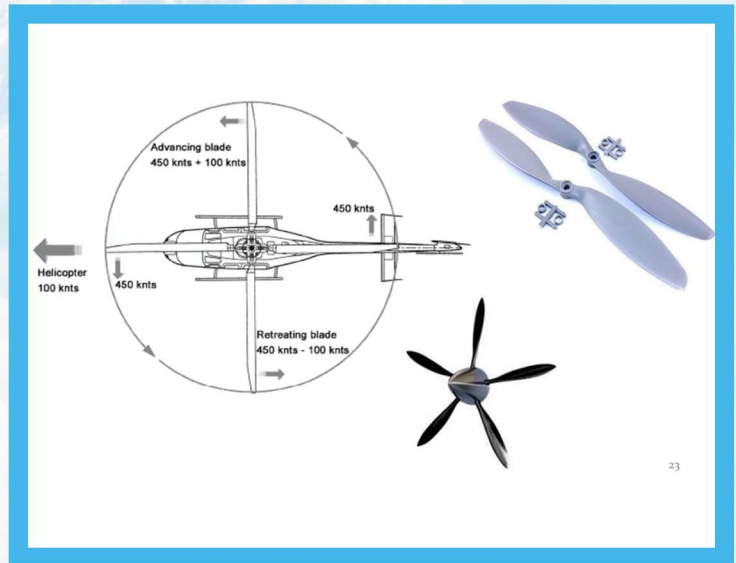
- Air Drills
- Blind Riveters
- Cable & Wire
- Cutters
- Die Grinders & Sanders
- Drilling Equipment
- Multimeters
- Engine Tools
- Fabric & Paint Tools
- Hi-lok Tooling
- Power Riveters
- Precision Measuring
- Rivet Guns
- Rivet Squeezers
- Riveting Equipment
- Rivnut Tools
- Screw & Bolt Removers
- Service & Support



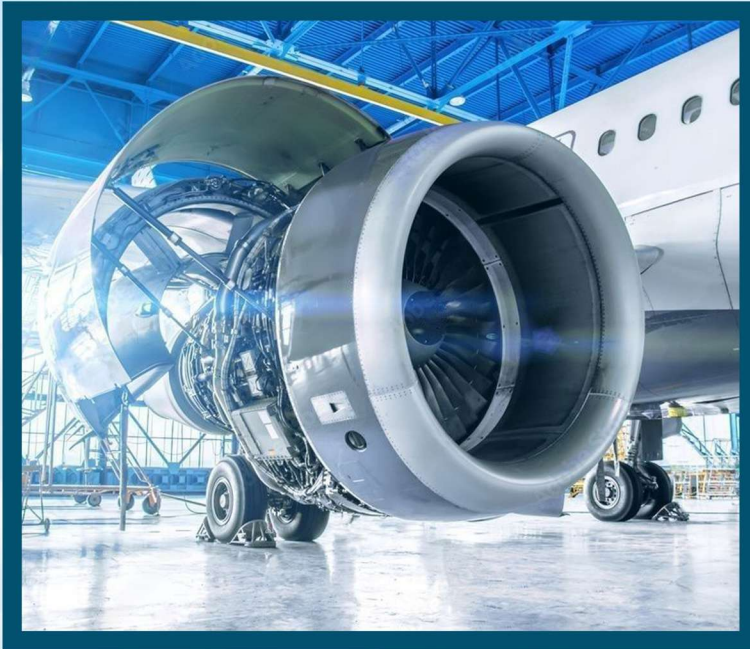


- Sheet Metal Fasteners
- Sheet Metal Tools
- Surface Prep Tools
- Test & Inspection
- Tool Kits

 **Propellers**



 Rotable Parts





-  **MRO Services**
-  **Programs For Flight Hour**
-  **Management Of Consignments**
-  **AOG Support**
-  **Component Sales & Exchanges**
-  **Inventory Surplus Acquisitions**
-  **Aircraft / Engine Teardown Management**
-  **Asset Management**



## ENGINE MODELS

◆ CFM56 Series	◆ CFM-LEAP
◆ EA GP7200	◆ GE CF34
◆ PW 100 Series	◆ GE CT7 Series
◆ PW 2000 Series	◆ IAE V2500 Series
◆ PW 4000 Series	◆ PW JT9D Series
◆ PW JT8D-200 Series	◆ RRD BR700 Series
◆ PW JT9D	◆ Honeywell RE-220
◆ Honeywell GTCP 85 series	◆ Honeywell 131 series
◆ Hamilton Sundstrand APS3200	◆ Hamilton Sundstrand APS2100
◆ Hamilton Sundstrand APS2000	



ENGINES



**AIRBUS**



AIRFRAMES



**ATR**

**BOMBARDIER**

**EMBRAER**



**Address:**  
IFZA BUSINESS PARK DDP  
Office No: DSO-IFZA-18976  
Building Name: IFZA Properties  
Makani Number: A2-3645879076  
Dubai Silicon Oasis



**Telephone No:**  
+971-55-5466901  
**Fax No:** +971-4-3462427



**Email:**  
[info@classicsaviation.com](mailto:info@classicsaviation.com)

